



Hillrom™



## TS7000 Surgical Table

One table without limits

# THE NEXT BENCHMARK

## DEVELOPED BY CLINICIANS FOR CLINICIANS: THE TS7000 SURGICAL TABLE

To set new standards for OR tables in the future, the input of clinicians is required. This is precisely what Hillrom did when developing the TS7000: it brought together the practical knowledge of international clinics with the expertise of our technicians.

The result of this collaboration is an OR table that meets the requirements most important to clinical users: ease of use, reliability, flexibility, and expandability. In addition, TS7000 fits into current protocols, practices and standard workflow in the OR. TS7000 is a table for different surgical requirements that is efficient and easy to operate.

A table with an optimum specification that eliminates the need to make compromises in future: a table without limits.

## PATIENT-FOCUSED CARE

As the designer, developer and manufacturer, we share a common goal with you in providing the best possible patient care. Central to that mission is allowing you to focus your attention on your patient, not the equipment. The TS7000 Surgical Table provides clear, intuitive functionality, unparalleled ease of use and a full range of capabilities that match your current workflows. This efficiency allows you and your team to forget the table and be more patient-focused, resulting in the safety we both demand.



# Our commitment to safety is evident in the features designed into the TS7000 Surgical Table.

Anti-collision protection in the standard configuration, the OR table top will not collide with the floor or base of the table, even in extreme Trendelenburg positions.

Intelligent sensor technology alerts the user when the table or patient is in a compromising position, reducing the risk of tipping or falling in extreme positions — ideal for bariatric patients weighing up to 450 kg / 1,000 lb.



The synchronized leveling system safely and anatomically returns all articulated components to level position — improving patient comfort easily and efficiently.

The emergency unlocking system unlocks the table in the event of power failure, allowing the patient and table to be moved quickly and safely.

# EVERYTHING IS EASY

## ERGONOMIC DOWN TO THE LAST DETAIL

The table is simple — it was developed to be familiar to your staff. New concepts were carefully designed to be intuitive, minimizing any learning curve. With the TS7000 Surgical Table you can think about the patient, because we thought about the table.

## LIGHTWEIGHT

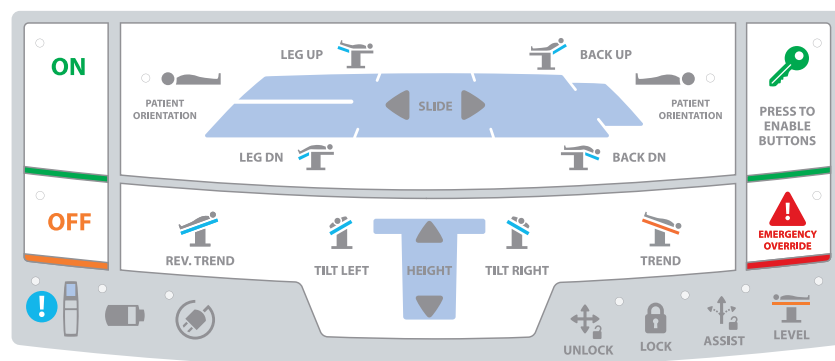
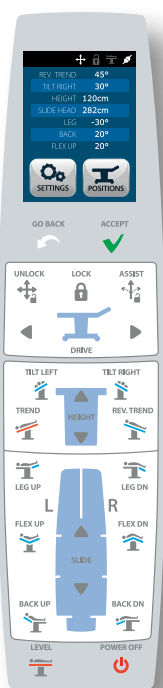
For their daily work with the OR table, our clinical partners told us their most important requirement was that all removable components needed to be lighter weight. Hillrom responded with an entirely new line of OR table components that are on average 25% lighter than previous models. To make things even easier, we have introduced built-in carrying handles on larger components.

## MOBILITY WITHOUT LIMITS

Low-friction, dual casters improve mobility and the fifth wheel enables the patient to be maneuvered and transported safely in the OR. The TS7000 can be easily positioned according to requirements prior to surgery. Afterwards, the table can be safely fixed in position using the self-leveling brake, including on uneven surfaces. In an emergency, the OR table can be unlocked and moved using the emergency unlocking system on the control panel.

## USER-FRIENDLY INTERFACE

Our intuitive remote control and column control panel use the same icons, colors and shapes. They have been extensively field tested to ensure simplicity, efficiency and safety.





As awarded by the  
Chicago Athenaeum:  
Museum of  
Architecture and  
Design

## USER COMFORT

Enhanced user comfort is designed into typical touch points including the side rails and hand control.

## SURGEON ACCESS

Our table base, designed to permit under-the-base foot access, optimizes surgical team ergonomics and provides exceptional patient access.

## SAFE CONFIGURATIONS

Hillrom's Universal Coupling System is designed to ensure the correct placement of the proper components in each configuration.

## IT JUST CLICKED

Attaching, replacing, and removing components on the TS7000 is now even easier thanks to the component coupler. The innovative, self-aligning connect and lock system with extra-large latch-hook is located on the outer edge of the table. This way, you can see at all times whether or not the components are properly attached. An audible "click" also provides further reassurance that they are attached correctly.

In recognition of its outstanding design, the component coupling system received the GOOD DESIGN® Award, an international prize given for innovative product concepts.



# YES IS THE ANSWER

## HOW FLEXIBLE AND VERSATILE IS THE TS7000 SURGICAL TABLE?

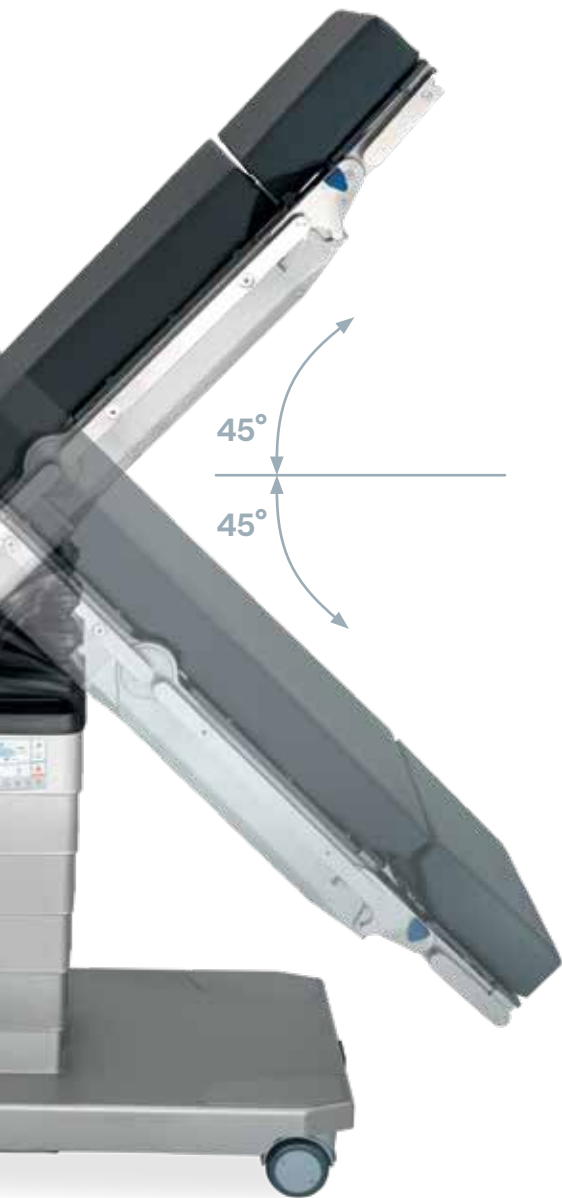
In its basic configuration, the TS7000 Surgical Table can more than handle your typical case load. Its table top was engineered to achieve the most demanding patient positioning applications. Additionally, with its comprehensive range of components and accessories, virtually any position can be realized.

This makes the TS7000 Surgical Table a future-proof solution — precisely tailored for our clinical partners' diverse requirements.



114 cm  
(45")

59 cm  
(23")



Efficient preoperative and postoperative positioning for lithotomy.

### YOU WILL BENEFIT FROM

- Extremely low and high working positions
- 450 kg (1,000 lb) patient weight capacity
- $\pm 45^\circ$  Trendelenburg/Reverse Trendelenburg
- $\pm 30^\circ$  tilt
- 46 cm (+1cm) / 18" (+0.4") of longitudinal shift for a maximum radiolucent area
- Double-Joint adjustment of headrest
- Flexible patient preparation by means of removable components
- Continuous X-ray channel permits conventional X-raying during OR
- Ergonomic Y-shaped base allows for greater access during GYN and urology procedures
- Optimal docking capabilities for robot-assisted surgery
- A comprehensive range of components and accessories



Lithotomy position for gynecology and urology.





# DO MORE WITH CONFIDENCE

## HILLROM™ OR TABLES OFFER EXEMPLARY QUALITY AND LONGEVITY.

The TS7000 is positioned to carry on the tradition with proven reliability features that define the Hillrom range. Hillrom incorporates new concepts born out of comprehensive research; collaboration with our clinician development partners – and extensive field testing.

- Electromechanical operation is simple and reliable
- Virtually indestructible one piece, solid stainless steel base
- High-quality components throughout
- Impenetrable, robotic laser welded



# TECHNICALLY ADVANCED, FULLY SUPPORTED

## FACTS THAT SPEAK FOR THEMSELVES.

The TS7000 Surgical Table sets a high standard of excellence.  
This innovative table system complies with the technical standard by which OR tables have been judged.

### TS7000 Surgical Table Technical Specifications

Version	TS7000 TS7000 with motorized 5th wheel and wireless interface
Height adjustment	59 cm - 114 cm $\pm$ 1 cm (23" - 45" $\pm$ 0.4")
Trendelenburg / Reverse Trendelenburg	$\pm$ 45°
Tilt	$\pm$ 30°
Zero Position	Simultaneous leveling of all sections
Longitudinal shift	46 cm $\pm$ 1cm (18" $\pm$ 0.4") head side: 18 cm (7"), foot side: 28 cm (11") $\pm$ 1 cm ( $\pm$ 0.4")
Adjustment range joint back section	+90°/-45°
Adjustment range joint leg section	+90°/-105°
Net weight	250 kg (551 lbs) with two-part tabletop
Table top overall	125 cm x 60 cm (49" x 24") for two-part table top
Patient weight capacity	450 kg (1,000 lbs)



# FLEXIBLE PATIENT POSITIONING



## GENERAL SURGERY

Lateral position for kidney surgery.



## GENERAL SURGERY

Jackknife position.



## OPHTHALMOLOGY AND ENT

Ophthalmology and ENT – head rest system.



## BARIATRIC SURGERY

Sleeve gastrectomy.

## NEUROSURGERY



Craniotomy in the supine position.



Extended carbon fiber component for greater imaging access.



### TRAUMATOLOGY AND ORTHOPEDICS

Extension unit for hip replacement, arthroscopy and femur fractures.



### SPINAL SURGERY

Spinal surgery with Wilson frame.



### TRAUMATOLOGY AND ORTHOPEDICS

Carbon fiber hand table for traumatological surgery to the upper extremity.



### VASCULAR AND CARDIO SURGERY

Special carbon fiber segments for cardio and vascular surgery.



Patient initiation for neurosurgery.



Properly position the patient for the procedure.



Skull clamp with 360° X-ray capability for neurosurgical applications.



**Hillrom™**

## ABOUT HILLROM

Hillrom is a global medical technology leader whose 10,000 employees have a single purpose: enhancing outcomes for patients and their caregivers by advancing connected care. Around the world, our innovations touch over 7 million patients each day. They help enable earlier diagnosis and treatment, optimize surgical efficiency and accelerate patient recovery while simplifying clinical communication and shifting care closer to home. We make these outcomes possible through connected smart beds, patient lifts, patient assessment and monitoring technologies, caregiver collaboration tools, respiratory care devices, advanced operating room equipment and more, delivering actionable, real-time insights at the point of care. Learn more at [hillrom.com](https://hillrom.com).

For more information please contact  
your local Hillrom representative.

**[hillrom.com](https://hillrom.com)**

Hillrom  
Amerika Building (7th Floor),  
Hoogoorddreef 15  
1101 BA Amsterdam, The Netherlands

TS7000 naming corresponds to the following CE registered products: TruSystem 7000 U (MB) - 1604786; TruSystem 7000 U - 1604788; TruSystem 7000 U (dV) - 1723633; TruSystem 7000 - 1841046; TruSystem 7000 (MBW) - 1841048; TruSystem 7000 (dV) - 1841049; TruSystem 7000 V - 1841050; TruSystem 7000 (MBW) V - 1841082; TruSystem 7000 (dV) V - 1841083; TruSystem 7000 U14 (MBW) - 2065385; TruSystem 7000 U14 (MBW) V - 2065386; Cladding Protection TS70001604786 - 2069528; Tam ISI - 1832238; Cable connection TS7000 (dV) - 1816914

The TS7000 Surgical Table is intended to be used by clinicians and medically qualified personnel. This medical device is a regulated healthcare product which, pursuant to such regulation bears a CE mark. Hill-Rom recommends that you carefully read the detailed instructions for safe and proper use included in the documents accompanying the medical devices. The personnel of healthcare establishments are responsible for the proper use and maintenance of these medical devices. Hill-Rom reserves the right to make changes without notice in design, specifications and models. The only warranty Hill-Rom makes is the express written warranty extended on the sale or rental of its products. TRUMPF Medizin Systeme GmbH + Co. KG is a subsidiary of Hill-Rom Holdings, Inc.